

### General Properties (raw material)

Item number:	8352001901882	
front:	Cement with sheathing characteristic surfaces	
carrier:	fire retardant MDF	
back:	LightBeton balancing quality	
raw size:	3,020 x 1,250 mm	
thickness:	approx. 19 mm	
edgebanding:	1 mm concrete or 1 mm ABS with concrete decor	
density:	LightBeton	1,950 kg/m <sup>3</sup>
	MDF, fire retardant	820 kg/m <sup>3</sup>
	LightBeton	1,950 kg/m <sup>3</sup>
Mass per unit area:	17.4 kg/m <sup>2</sup>	
Fire behavior (EN13501-1):	B - s2, d0	

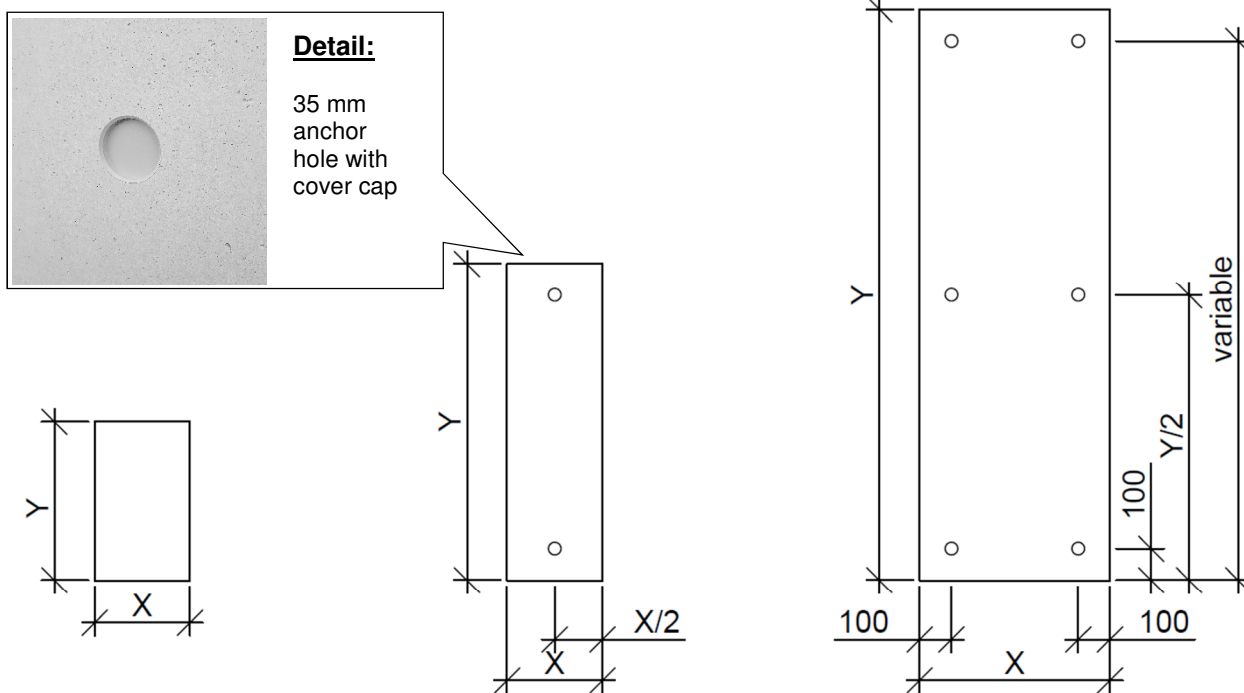
### Surface

LightBeton surface with water-based lacquer

### Edge-Finish

The Edge-Finish is available as Type 1 or Type 2 (see following for details).

### Anchor hole details



If X and Y < 500 mm, than without anchor hole.

If X < 500 mm, than only one anchor hole in middle of X.

If Y >= 500 mm and < 1700 mm, than two anchor holes in Y.

If X >= 500 mm, than two anchor holes with 100 mm distance from the external edges.

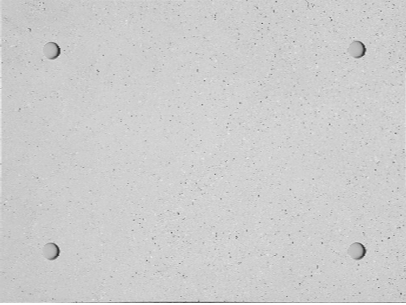
If Y >= 1700 mm, than three anchor holes in Y.

### Commissioned panels

Fully commissioned panels, cut to size as per design intend incl. edge banding, anchor holes etc. available. Price on request, based on site conditions (quantity and dimensions of panels).

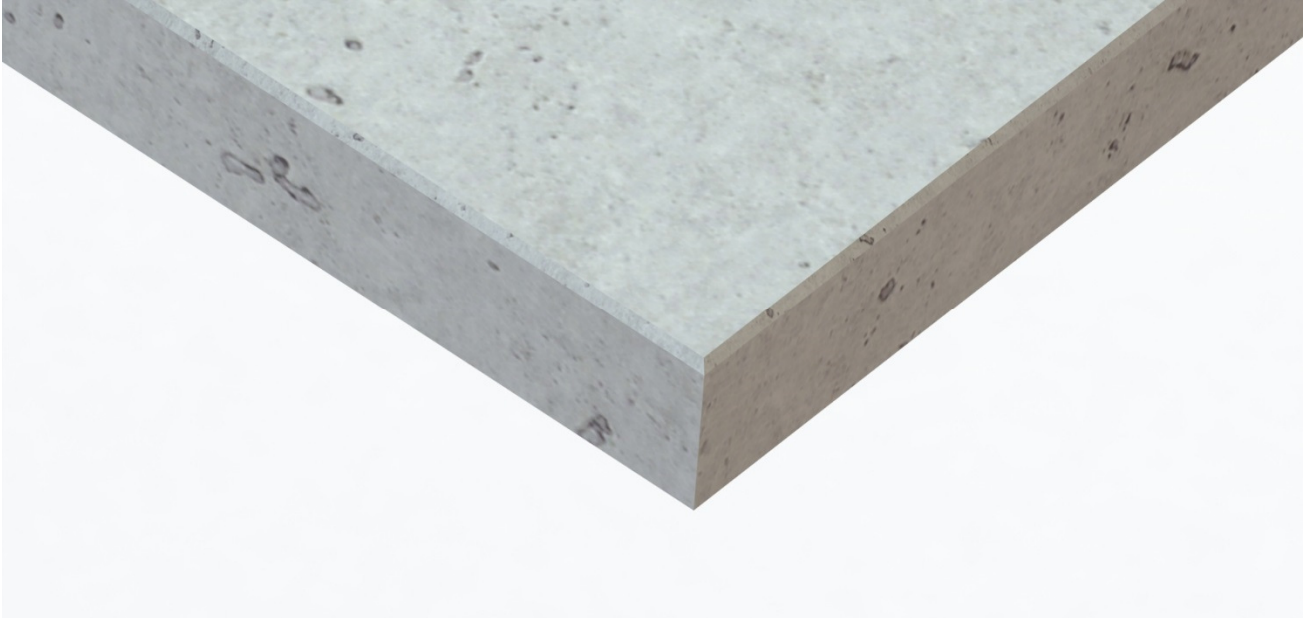
### Note

All test certificates, test reports and other technical information available upon request.



## Edge Types

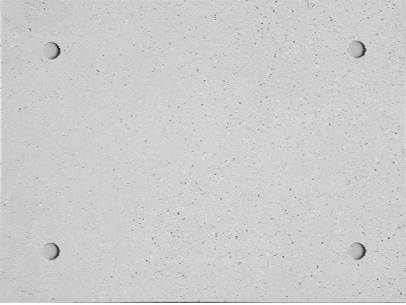
---



Type 1 – Beveled Edge



Type 2 – Rabbet Edge, Rabbet width 6 mm (0.24")



LightBeton®  
 Technical Information  
 Formwork System



architectural systems



Install an adequate and aligned substructure on centerline for each Anchor hole fixing.

⚠ Please note a vertical aeration behind the installed panels.



Level the first horizontal joint for the lower panel section and mark it to the substructure.



Fix the first panel aligned to the horizontal joint through the Anchor holes by using wood counter-sunk screws.

⚠ Please note to sink the screws head properly to avoid any further problems at the later insertion of plastic caps.



Insert the tongue into the outer groove.

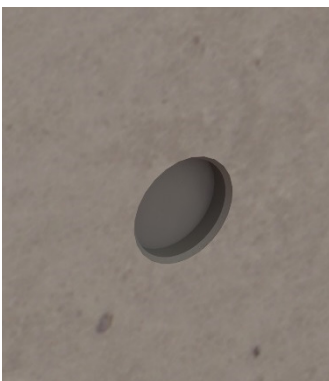


Install the following panels into horizontal direction and later on into vertical direction.



After the installation of all panels insert the plastic caps into the Anchor holes.

⚠ Please use a clean shaped piece of wood which covers the whole plastic cap and press the plastic caps into the holes.



Plastic caps have to be let-in flush.